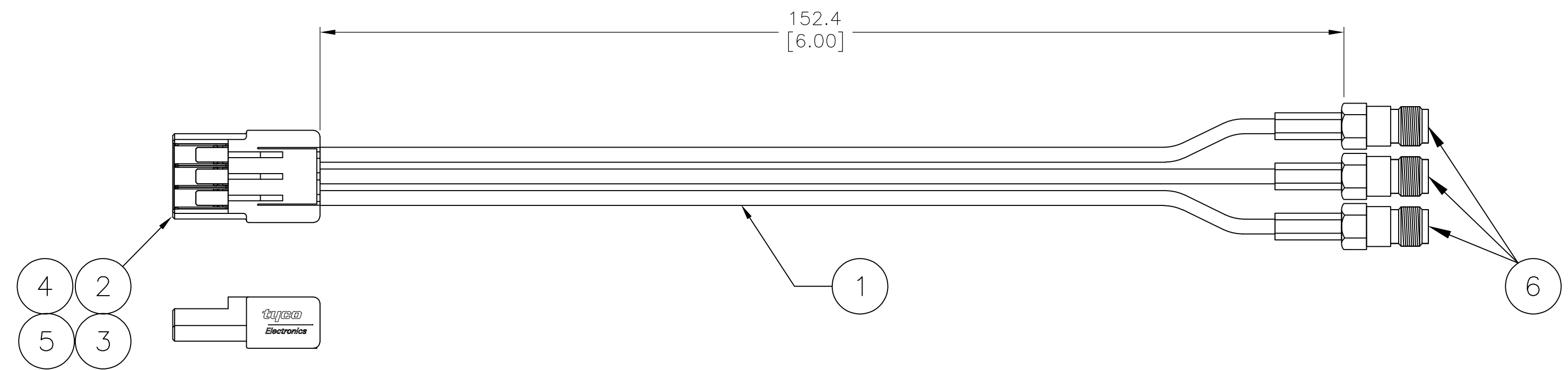


THIS DRAWING IS UNPUBLISHED. RELEASED FOR PUBLICATION
 © COPYRIGHT - BY TYCO ELECTRONICS CORPORATION. ALL RIGHTS RESERVED.

LOC	DIST	REVISIONS					
GP	00	P	LTR	DESCRIPTION	DATE	DWN	APVD
			A	NEW RELEASE	27/NOV/07	ECC	JO

1. PRODUCT AND PROCESSING MUST MEET REQUIREMENTS OF TYCO ELECTRONICS STANDARD 230-702.



			2032605-1
CUSTOMER REV	CUSTOMER P/N	TYCO ELECTRONICS P/N	
3	PC	SMA, JACK	6
3	PC	CONTACT, CENTER	5
3	PC	INSULATOR, PLUG	4
3	PC	SHIELD, CONTACT, PLUG	3
1	PC	HOUSING, STRIP LINE, 3P	2
1.5	FT	CABLE, COAX, RG316	1
-1	U/M	DESCRIPTION	ITEM

THIS DRAWING IS A CONTROLLED DOCUMENT.		DWN E.C. CLAYBAUGH 20/NOV/07	Tyco Electronics Corporation Harrisburg, PA 17105-3608	
DIMENSIONS: mm [INCHES]	TOLERANCES UNLESS OTHERWISE SPECIFIED:	CHK J. ORNER 21/NOV/07	NAME CABLE ASSY, 3 PORT QSL to SMA JACKS	
	0 PLC ± - 1 PLC ± - 2 PLC ± - 3 PLC ± - 4 PLC ± - ANGLES ± -	APVD J. ORNER 27/NOV/07	PRODUCT SPEC -	
MATERIAL -	FINISH -	APPLICATION SPEC -	SIZE A3	CAGE CODE 00779
		WEIGHT -	DRAWING NO C-2032605	RESTRICTED TO -
CUSTOMER DRAWING			SCALE N.T.S.	SHEET 1 OF 1
			REV A	